

RECOMMENDED P.C.B. LAYOUT
(GENERAL TOLERANCE: ±0.05mm)

RECOMMENDED FPC/FFC DIMENSIONS
GENERAL TOLERANCE ±0.05

NOTES:

- MATERIAL:
 - HOUSING: THERMOPLASTIC, HIGH TEMP.UL94V-0; COLOR:NATURAL OR BLACK
 - ACTUATOR: THERMOPLASTIC, HIGH TEMP.UL94V-0; COLOR:BLACK.
 - CONTACT: COPPER ALLOY
 - FITTING NAIL: COPPER ALLOY

- FINISH:
 - CONTACT:
 - 50u" MIN NICKEL UNDERPLATING OVERALL.
 - M: 3u" GOLD ON CONTACT AND GOLD FLASH ON SOLDER
 - B: 5u" GOLD ON CONTACT AND GOLD FLASH ON SOLDER
 - T: 10u" GOLD ON CONTACT AND GOLD FLASH ON SOLDER
 - FITTING NAIL:
 - 50u" MIN. NICKEL UNDERPLATING OVERALL.
 - 100u" MIN. TIN PLATING ON SOLDER TAILS(LEAD FREE).

- SPEC. PLS. REFER TO PS-52506-XXXX-XXX
PS-52506-XXXX-002 (FOR CARBON)
- PACKAGE PLS. REFER TO 52506-XXXX-05-TRP

5. PART NUMBER

52506-XXX X X-XXX

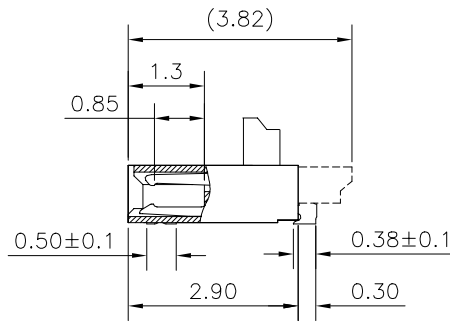
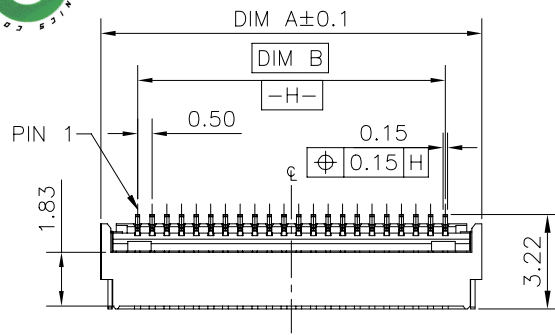
NO OF CKT
PACKING
0:TAPE REEL

CODE	HOUSING COLOR	TYPE
001	NATURAL	NORMAL
002	NATURAL	BOTTOM CONTACT FOR CARBON
003	BLACK	NORMAL

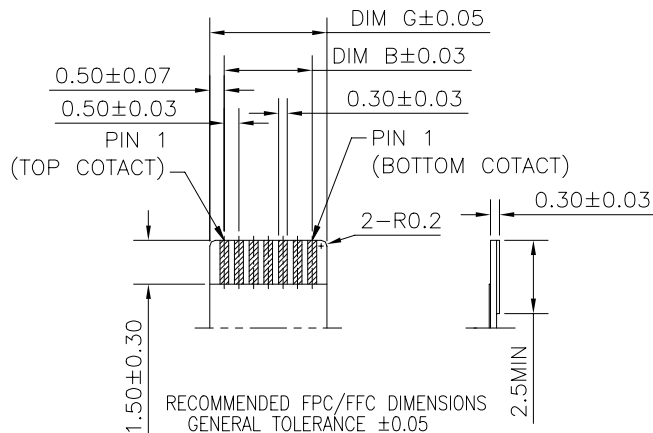
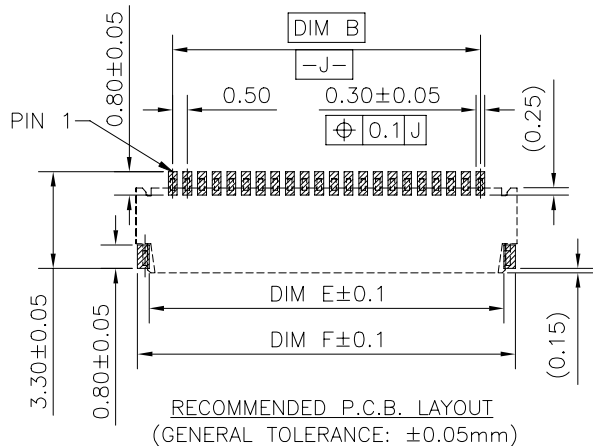
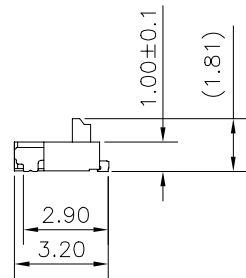
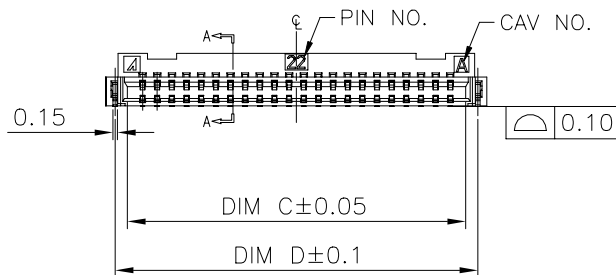
PLATING
M:3u" GOLD ON CONTACT
B:5u" GOLD ON CONTACT
T:10u" GOLD ON CONTACT

CKT	DIM A	DIM B	DIM C	DIM D	DIM E	DIM F	DIM G
4	4.00	1.50	2.55	3.38	3.10	3.90	2.50
5	4.50	2.00	3.05	3.88	3.60	4.40	3.00
6	5.00	2.50	3.55	4.38	4.10	4.90	3.50
8	6.00	3.50	4.55	5.38	5.10	5.90	4.50
10	7.00	4.50	5.55	6.38	6.10	6.90	5.50
12	8.00	5.50	6.55	7.38	7.10	7.90	6.50

QUALITY SYMBOLS MAJOR Ⓜ CRITICAL Ⓢ GENERAL TOLERANCES (UNLESS SPECIFIED) X. ±0.5 .X ±0.25 .XX ±0.15 .XXX ±0.1 ANGLES ±2°	DRAWN BY Huang, Yi Chun 22/11/25	DATE 22/11/25	
	CHECKED BY Wang, Kai Hung 22/11/25	DATE 22/11/25	
	APPROVED BY Huang, Kuo Hua 22/11/25	DATE 22/11/25	DWG NO. 52506-XXXX-XXX
UNITS mm		SIZE A4	PART NO. SEE NOTES
SCALE 4:1	SHEET NO. 1 OF 2	REV G	



SECTION A-A
SCALE 8:1



NOTES:

1. MATERIAL:

- 1.1 HOUSING: THERMOPLASTIC, HIGH TEMP.UL94V-0; COLOR:NATURAL OR BLACK
- 1.2 ACTUATOR: THERMOPLASTIC, HIGH TEMP.UL94V-0; COLOR:BLACK.
- 1.3 CONTACT: COPPER ALLOY
- 1.4 FITTING NAIL: COPPER ALLOY

2. FINISH:

- 2.1 CONTACT:
50u" MIN NICKEL UNDERPLATING OVERALL.
M: 3u" GOLD ON CONTACT AND GOLD FLASH ON SOLDER
B: 5u" GOLD ON CONTACT AND GOLD FLASH ON SOLDER
T: 10u" GOLD ON CONTACT AND GOLD FLASH ON SOLDER
- 2.2 FITTING NAIL:
50u" MIN. NICKEL UNDERPLATING OVERALL.
100u" MIN. TIN PLATING ON SOLDER TAILS(LEAD FREE).

3. SPEC. PLS. REFER TO PS-52506-XXXXX-XXX

- PS-52506-XXXXX-002 (FOR CARBON)
- 4. PACKAGE PLS. REFER TO 52506-XXXXX-05-TRP

5. PART NUMBER

52506-XXX X X-XXX

NO OF CKT

PACKING

0:TAPE REEL

CODE	HOUSING COLOR	TYPE
001	NATURAL	NORMAL
002	NATURAL	BOTTOM CONTACT FOR CARBON
003	BLACK	NORMAL

PLATING

M:3u" GOLD ON CONTACT
B:5u" GOLD ON CONTACT
T:10u" GOLD ON CONTACT

CKT	DIM A	DIM B	DIM C	DIM D	DIM E	DIM F	DIM G
18	11.00	8.50	9.55	10.38	10.10	10.90	9.50
20	12.00	9.50	10.55	11.38	11.10	11.90	10.50
22	13.00	10.50	11.55	12.38	12.10	12.90	11.50
26	15.00	12.50	13.55	14.38	14.10	14.90	13.50
30	17.00	14.50	15.55	16.38	16.10	16.90	15.50
32	18.00	15.50	16.55	17.38	17.10	17.90	16.50
34	19.00	16.50	17.55	18.38	18.10	18.90	17.50
36	20.00	17.50	18.55	19.38	19.10	19.90	18.50
40	22.00	19.50	20.55	21.38	21.10	21.90	20.50
43	23.50	21.00	22.05	22.88	22.60	23.40	22.00
45	24.50	22.00	23.05	23.88	23.60	24.40	23.00
50	27.00	24.50	25.55	26.38	26.10	26.90	25.50

QUALITY SYMBOLS MAJOR Ⓜ CRITICAL Ⓢ GENERAL TOLERANCES (UNLESS SPECIFIED) X. ±0.5 .X ±0.25 .XX ±0.15 .XXX ±0.1 ANGLES ±2°	DRAWN BY Huang, Yi Chun 22/11/25	DATE 22/11/25	
	CHECKED BY Wang, Kai Hung 22/11/25	DATE 22/11/25	
	APPROVED BY Huang, Kuo Hua 22/11/25	DATE 22/11/25	DWG NO. 52506-XXXXX-XXX
	UNITS mm		SIZE A4
	SCALE 4:1	SHEET NO. 2 OF 2	REV G
			PART NO. SEE NOTES